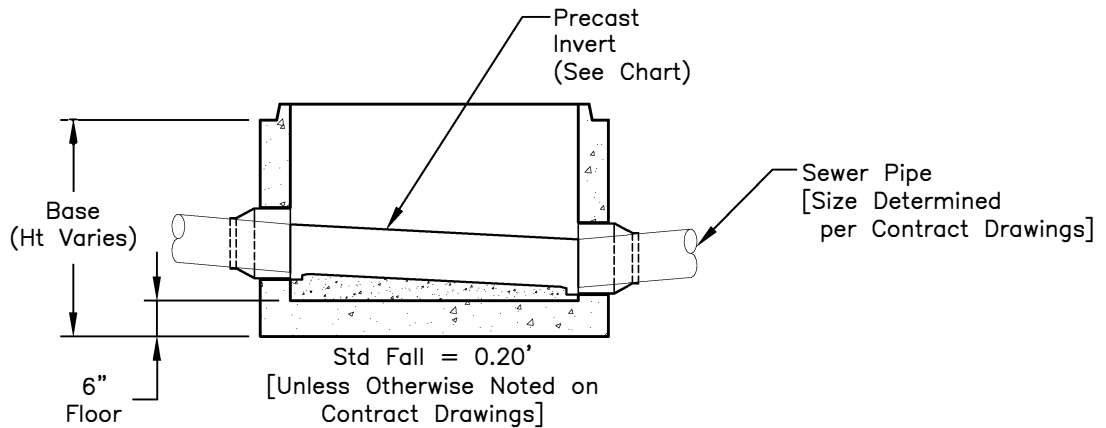


**PLAN VIEW**

Contractor to make Final Adjustments in the Field



**SECTION VIEW**

PIPE DIA	BOOT SIZE	CHANNEL DEPTH
8	12A	3/4
10	16B	3/4
12	16	FULL

**NOTES:**

1. Concrete Compressive Strength = 4,000psi.
2. Co-Polymer Polypropylene Steel Reinforced Steps meet ASTM-C478 Latest (If Needed).

**PRECAST INVERT**

DATE: March 2011 REV: \*\* SCALE: 3/8"=1'-0"