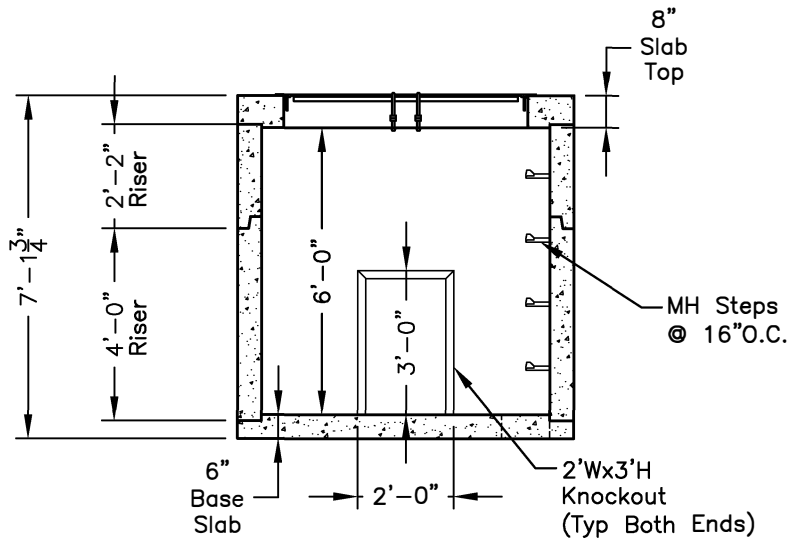


**PLAN VIEW**



**SECTION A-A**

ITEM	WT (LBS)
8" Slab Top	3,800
2'-2" Riser	4,830
4' Riser	8,900
6" Base Slab	4,700

**NOTES:**

1. Concrete Compressive Strength = 4,000psi.
2. Vault Specifications: ASTM C857-95 A-0.3
3. Reinforcing ASTM A-615, Grade 60.
4. Joints Conform to AASHTO M-198.  
Joint Sealant: By Others.
5. Contractor to Verify All Dimensions.

**6' x 8' x 6' ID  
 UTILITY VAULT  
 PSC-686-UV**

DATE: August 2009    REV: \*\*    SCALE: 1/4"=1'-0"