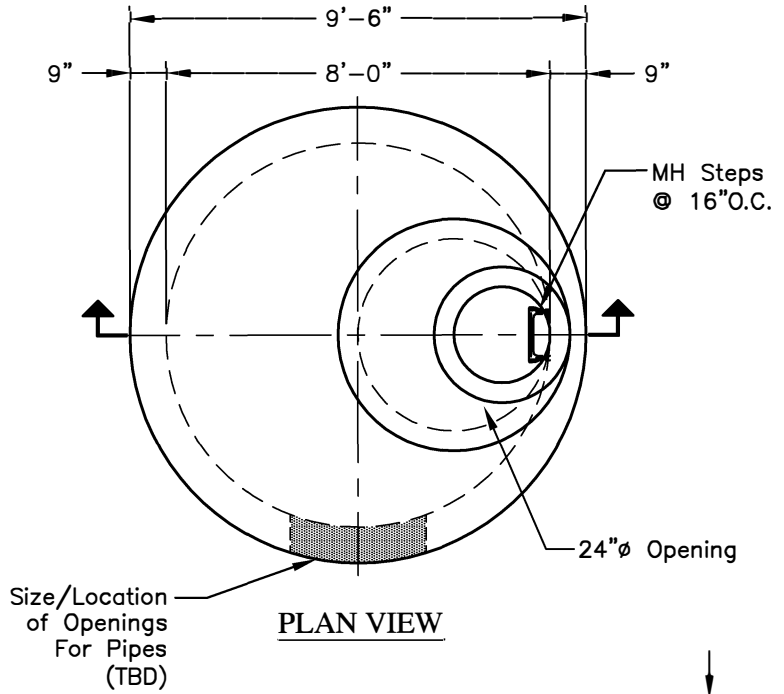


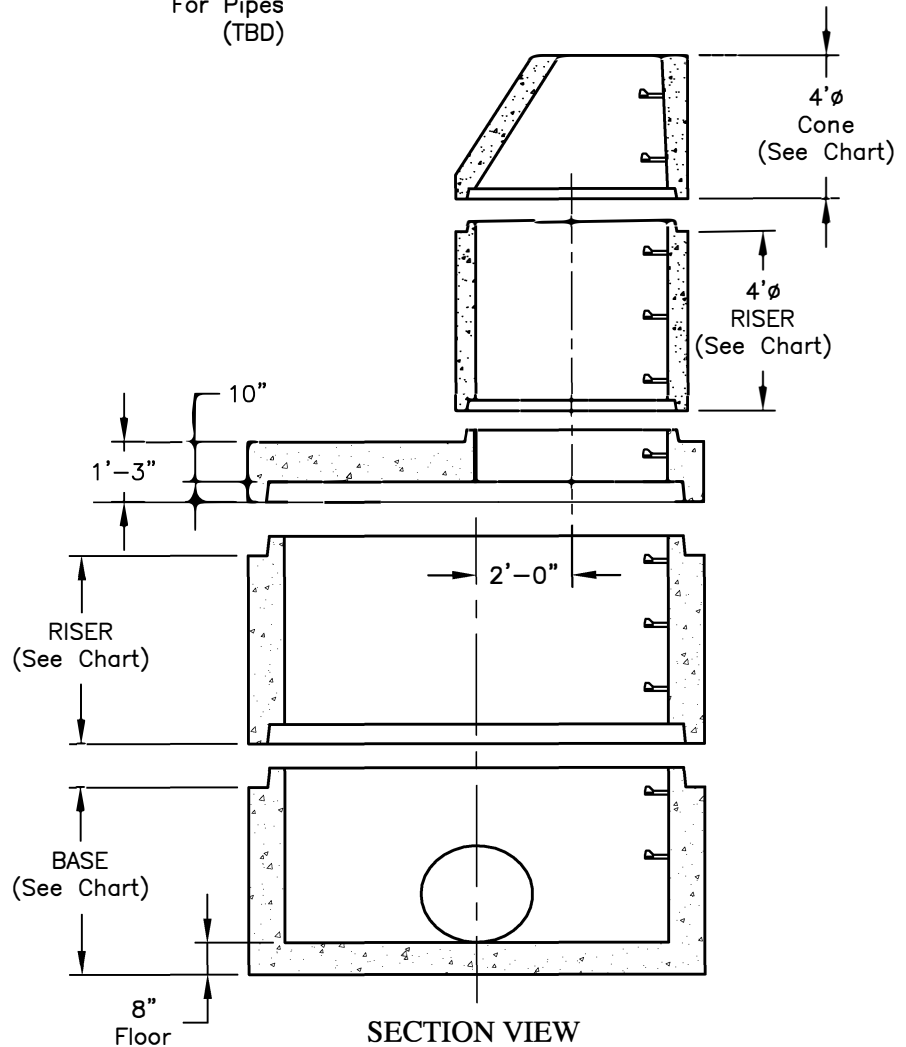
**NOTES:**

1. Precast Manholes are Fabricated to meet or Exceed the Following Specifications:
  - Manhole: ASTM C-478 Latest AASHTO M-199,
  - Wall: ASTM A-185,
  - Base: ASTM 615, Grade 60.
2. Concrete Compressive Strength = 4,000psi.
3. All Manhole Sections are Designed for HS20 Loading.
4. All Joints Conform to ASTM C990.
5. Joint Sealant: Butyl Rubber SS-S-00210.
6. Co-Polymer Polypropylene Steel Reinforced Steps meet ASTM-C478 Latest.
7. All Cast Holes are Additionally Reinforced with #4 Rebar Grade 60.



4' DIA	HEIGHT	WT (LBS)
CONE	20"	1,460
	36"	2,720
	48"	3,620
RISER	12"	880
	16"	1,180
	32"	2,340
	48"	3,520
	64"	4,690

ITEM	HEIGHT	WT (LBS)
TRANSITION SLAB		7,400
RISER	60"	15,500
	48"	12,400
	32"	8,300
Vertical Foot		3,100
BASE	80"	25,700
	72"	23,650
	60"	20,550
	48"	17,450



AN evercast COMPANY

## 8' DIA SEWER MANHOLE (TRANSITION)

1201 Biscayne Drive, Concord, NC 28027  
 Phone: 704-784-2000 Fax: 704-784-2004

DATE: Oct 2009	REV: **	SCALE: 1/4"=1'-0"
----------------	---------	-------------------