

NOTES:

1. CONCRETE COMPRESSIVE STRENGTH 4000 PSI
2. REINFORCING ASTM A-615 GRADE 60.
3. CONTRACTOR TO VERIFY ALL HOLES AND ELEVATIONS

6" Slab Top

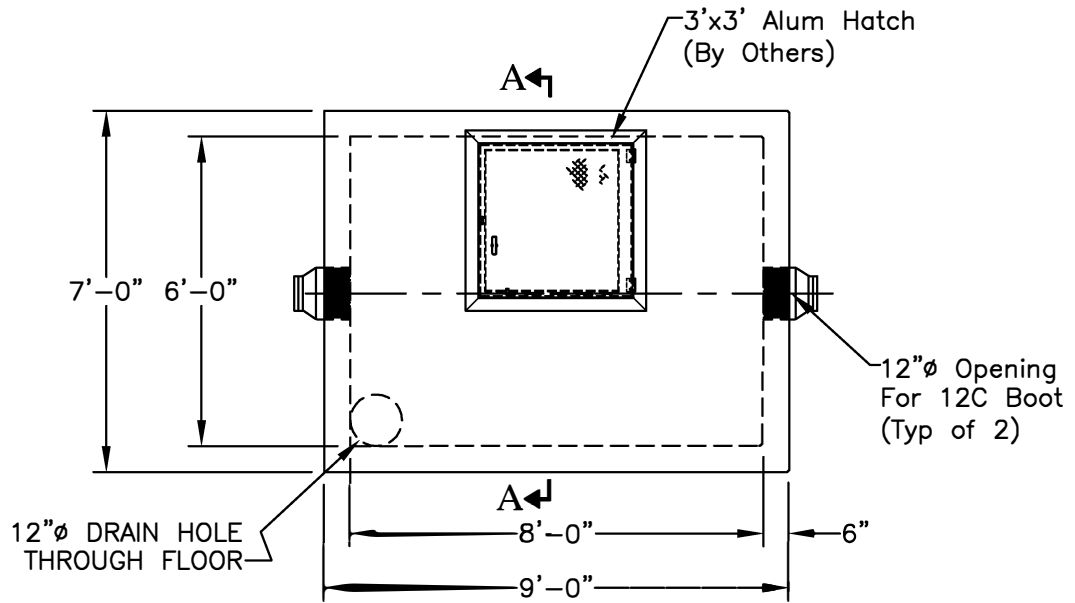
Wt: 4,700 Lbs.

30" Riser

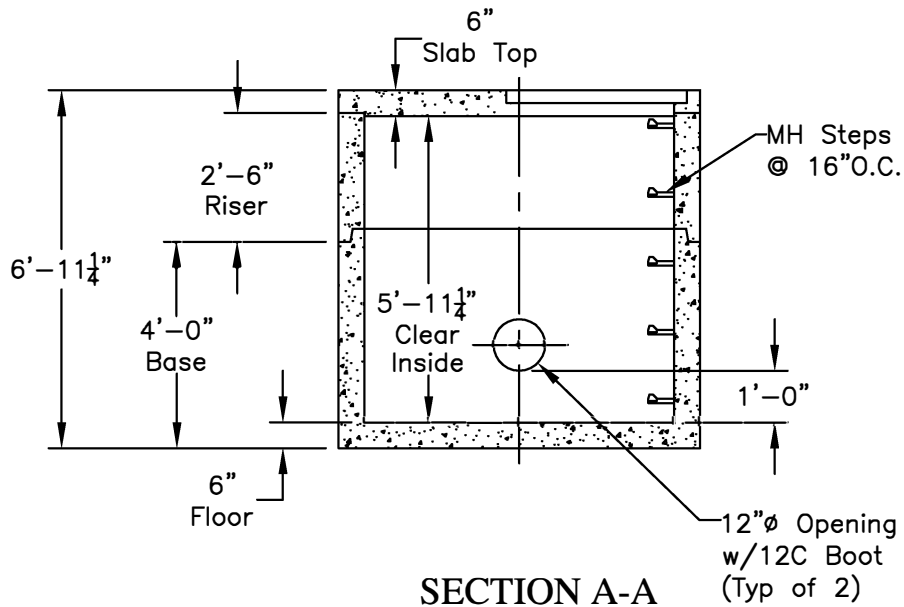
Wt: 5,600 Lbs.

48" Base

Wt: 12,450 Lbs.



PLAN VIEW



SECTION A-A



AN evercast COMPANY

Mailing Address: P.O. Box 3056, Huntersville, NC 28070
 Shipping Address: 527-A Atando Avenue, Charlotte, NC 28206
 Phone: 704-334-8383 Fax: 704-334-8384

6' X 8' X 6'

METER VAULT

STANDARD VAULT

DATE: 06/28/11	REV. DATE	REV.
SCALE: 1/4" = 1'0"		DWG NO: 6x8x6 Vault Standard