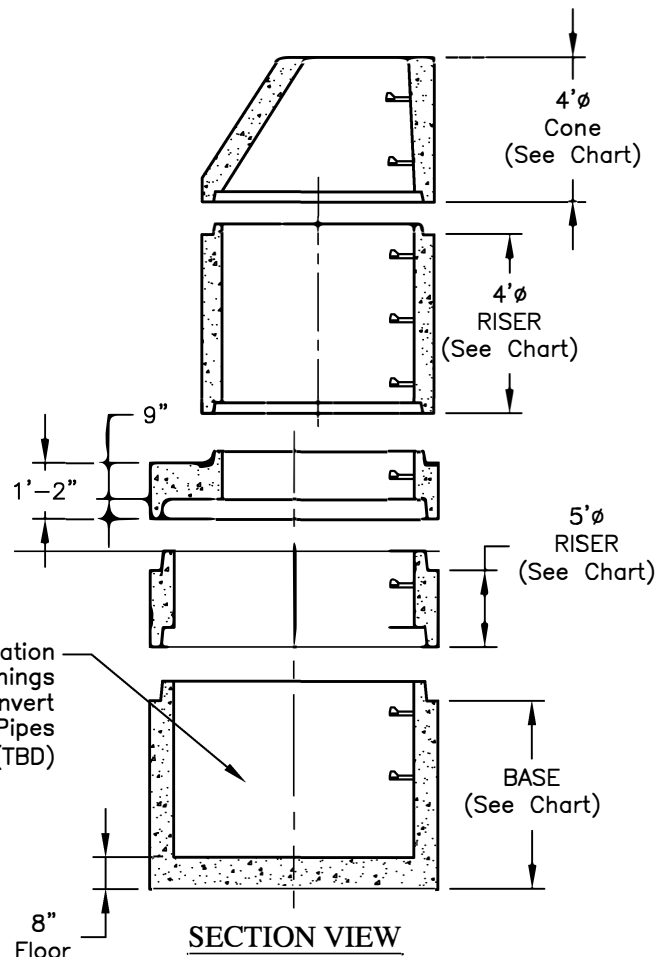
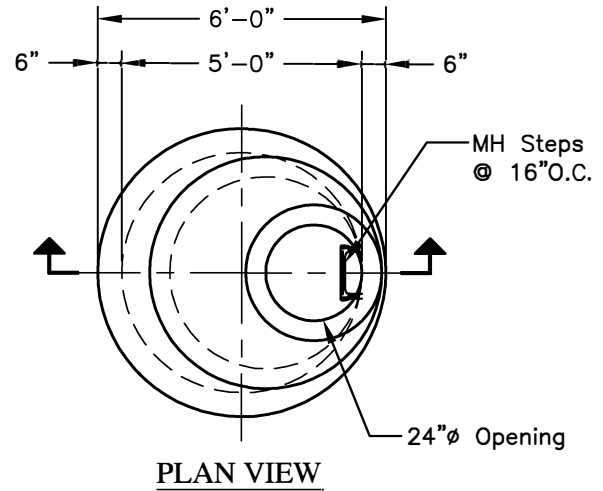


NOTES:

- Precast Manholes are Fabricated to meet or Exceed the Following Specifications:
 - Manhole: ASTM C-478 Latest AASHTO M-199,
 - Wall: ASTM A-185,
 - Base: ASTM 615, Grade 60.
- Concrete Compressive Strength = 4,000psi.
- All Manhole Sections are Designed for HS20 Loading.
- All Joints Conform to ASTM C990.
- Joint Sealant: Butyl Rubber SS-S-00210.
- Co-Polymer Polypropylene Steel Reinforced Steps meet ASTM-C478 Latest.
- Wall Reinforcing (ASTM A-185) Minimum SQ IN. per Linear Foot:
 - Circumferential = 0.15,
 - Longitudinal = 0.12.
- Manhole Base Reinforced Both Ways with a Minimum Area of 0.20 SQ IN. per Linear Foot each Way.
- All Cast Holes are Additionally Reinforced with #4 Rebar Grade 60.
- All Pipe Openings to be no Greater than 3" Larger than Outside Diameter of Pipe and Additionally Reinforced with a Minimum of 0.20 SQ IN. of Steel at 90 Degrees. Additional Reinforcing not Required for Cored Openings.



4' DIA	HEIGHT	WT (LBS)
CONE	20"	1,460
	36"	2,720
	48"	3,620
RISER	12"	880
	16"	1,180
	32"	2,340
	48"	3,520
	64"	4,690

5' DIA	HEIGHT	WT (LBS)
TRANSITION		1,700
RISER	16"	1,700
	32"	3,420
	48"	5,120
	64"	6,820
BASE	36"	5,790
	48"	7,070
	64"	8,770

5' Dia x 4' Dia SEWER TRANSITION MANHOLE