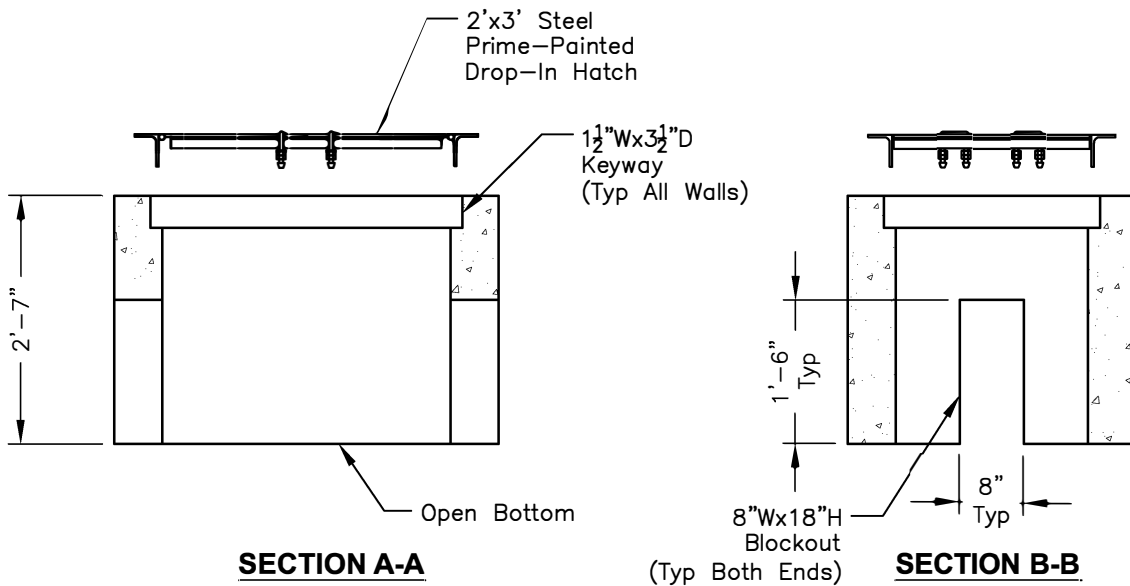


8"Wx18"H
 Blockout
 (Typ Straight Thru)

PLAN VIEW

Wt: 2,200 Lbs.



SECTION A-A

SECTION B-B

NOTES:

1. Concrete Compressive Strength = 4,000psi.
2. Reinforcing ASTM A-615, Grade 60.
3. Contractor to Verify All Dimensions.
4. Contractor to Seal All Blockouts with Non-Shrink Grout.

**2' x 3' x 2'-7" ID
 METER VAULT**

DATE: Sept 2009	REV: **	SCALE: 1/2"=1'-0"
-----------------	---------	-------------------