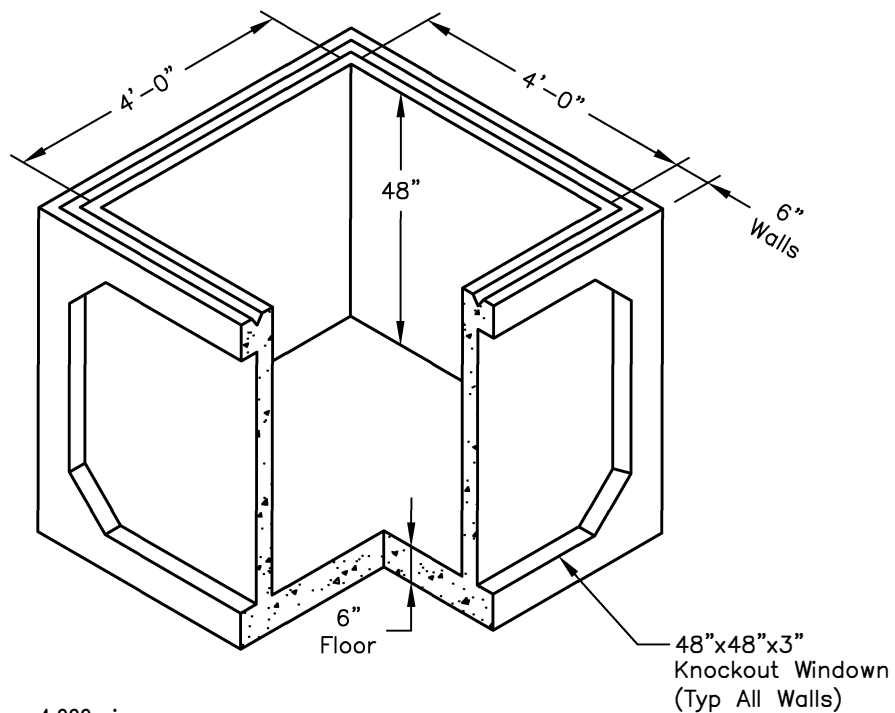


ITEM	WT (LBS)
6" Slab Top	1,425
48" Base	6,080



**NOTES:**

1. Concrete Compressive Strength = 4,000psi.
2. NCDOT Design Number 840.45.
3. Reinforcing ASTM A-615, Grade 60.
4. Riser Available with a Maximum Ht of 4'-0" with Steps at 12"O.C.
5. Joints Conform to AASHTO M-198.  
Joint Sealant: By Others.
6. Contractor to Specify Hole Size and Locations.

**4' x 4' x 4' ID  
 WAFFLE BOX**

DATE: July 2009 REV: \*\* SCALE: 3/8"=1'-0"