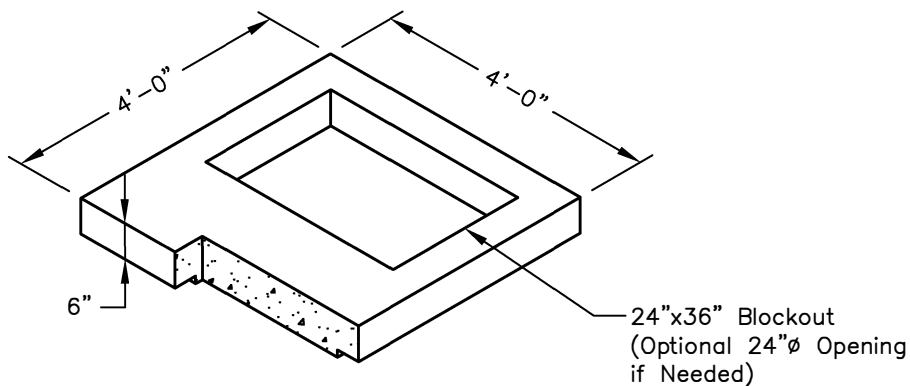
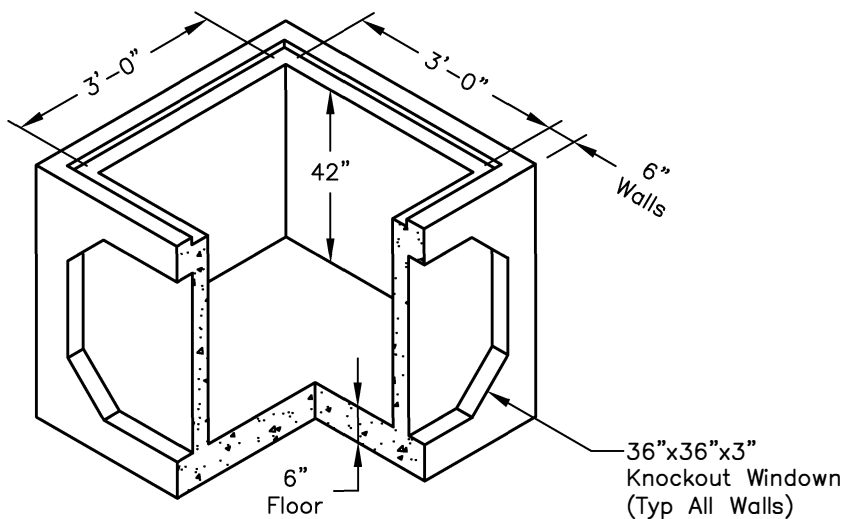




AN evercast COMPANY



ITEM	WT (LBS)
6" Slab Top	960
42" Base	4,815



NOTES:

1. Concrete Compressive Strength = 4,000psi.
2. NCDOT Design Number 840.45.
3. Reinforcing ASTM A-615, Grade 60.
4. Riser Available with a Maximum Ht of 4'-0" with Steps at 12" O.C.
5. Joints Conform to AASHTO M-198. Joint Sealant: By Others.
6. Contractor to Specify Hole Size and Locations.

**3' x 3' x 3'-6" ID
 WAFFLE BOX**

DATE: July 2009 REV: ** SCALE: 3/8"=1'-0"