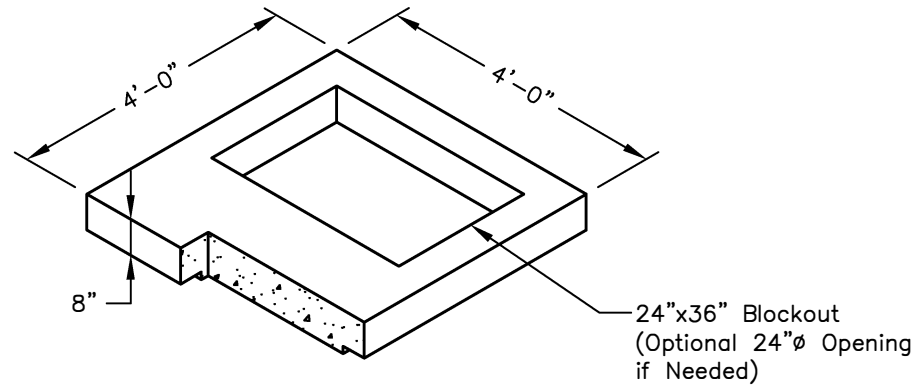
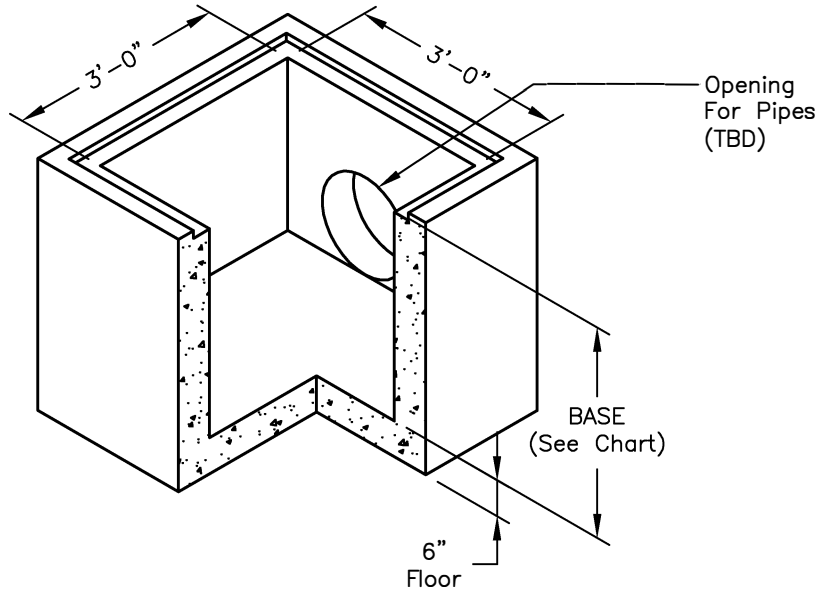




AN **evercast** COMPANY



ITEM	WT (LBS)
Slab Top	1,600
42" Base	4,815



NOTES:

1. Concrete Compressive Strength = 4,000psi.
2. NCDOT Design Number 840.46.
3. Reinforcing ASTM A-615, Grade 60.
4. Riser Available with a Maximum Ht of 4'-0".
5. Joints Conform to AASHTO M-198.
Joint Sealant: By Others.
6. Contractor to Specify Hole Size and Locations.

3' x 3' x 3'-6" ID SOLID WALL BOX		
DATE: July 2009	REV: **	SCALE: 3/8"=1'-0"