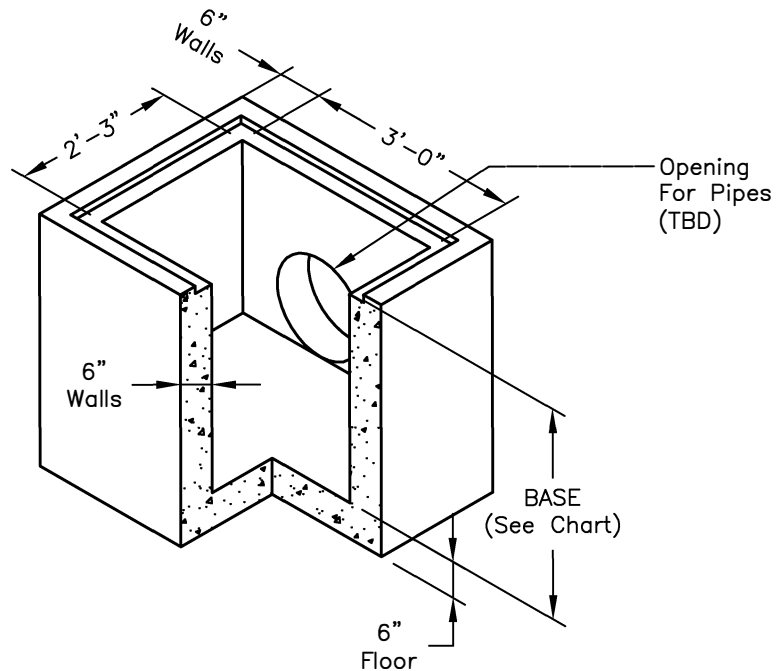
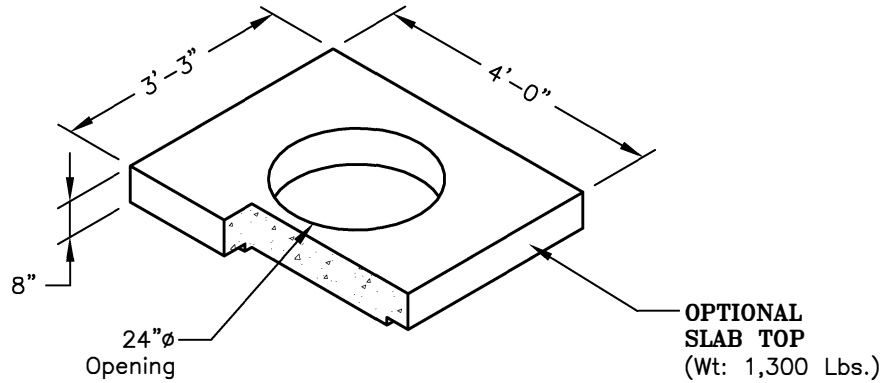




AN **evercast** COMPANY



HEIGHT	WT (LBS)
60"	5,780
48"	4,815
36"	3,855

NOTES:

1. Concrete Compressive Strength = 4,000psi.
2. Precast Meets ASTM C913.
3. NCDOT Design Number 840.46.
4. Reinforcing ASTM A-615, Grade 60.
5. Riser Available with a Maximum Ht of 4'-0".
6. Joints Conform to AASHTO M-198.
Joint Sealant: By Others.
7. Contractor to Specify Hole Size and Locations.

27" x 36" ID SOLID WALL BOX		
DATE: July 2010	REV: **	SCALE: 3/8"=1'-0"