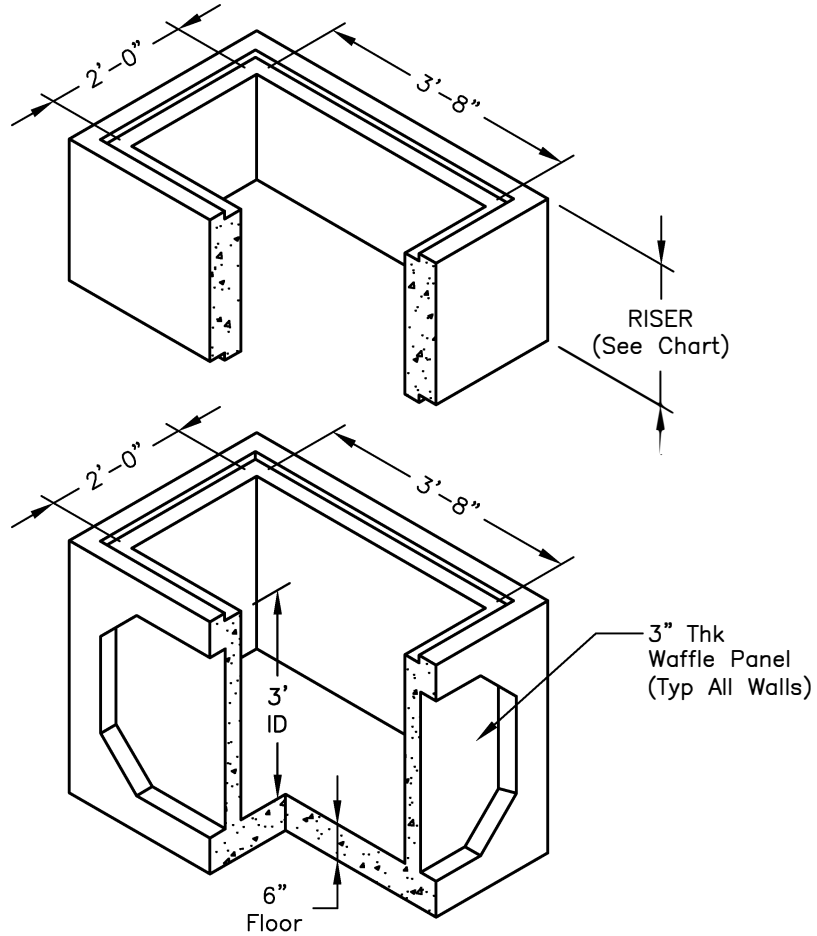




AN **evercast** COMPANY



HEIGHT	WT (LBS)
12" RISER	1,100
24" RISER	2,200
BASE	3,000

NOTES:

1. Concrete Compressive Strength = 4,000psi.
2. NCDOT Design Number 840.45.
3. Reinforcing ASTM A-615, Grade 60.
4. Joints Conform to AASHTO M-198.
Joint Sealant: By Others.
5. Contractor to Specify Hole Size and Locations.

24" x 44" ID WAFFLE BOX		
DATE: July 2009	REV: **	SCALE: 3/8"=1'-0"