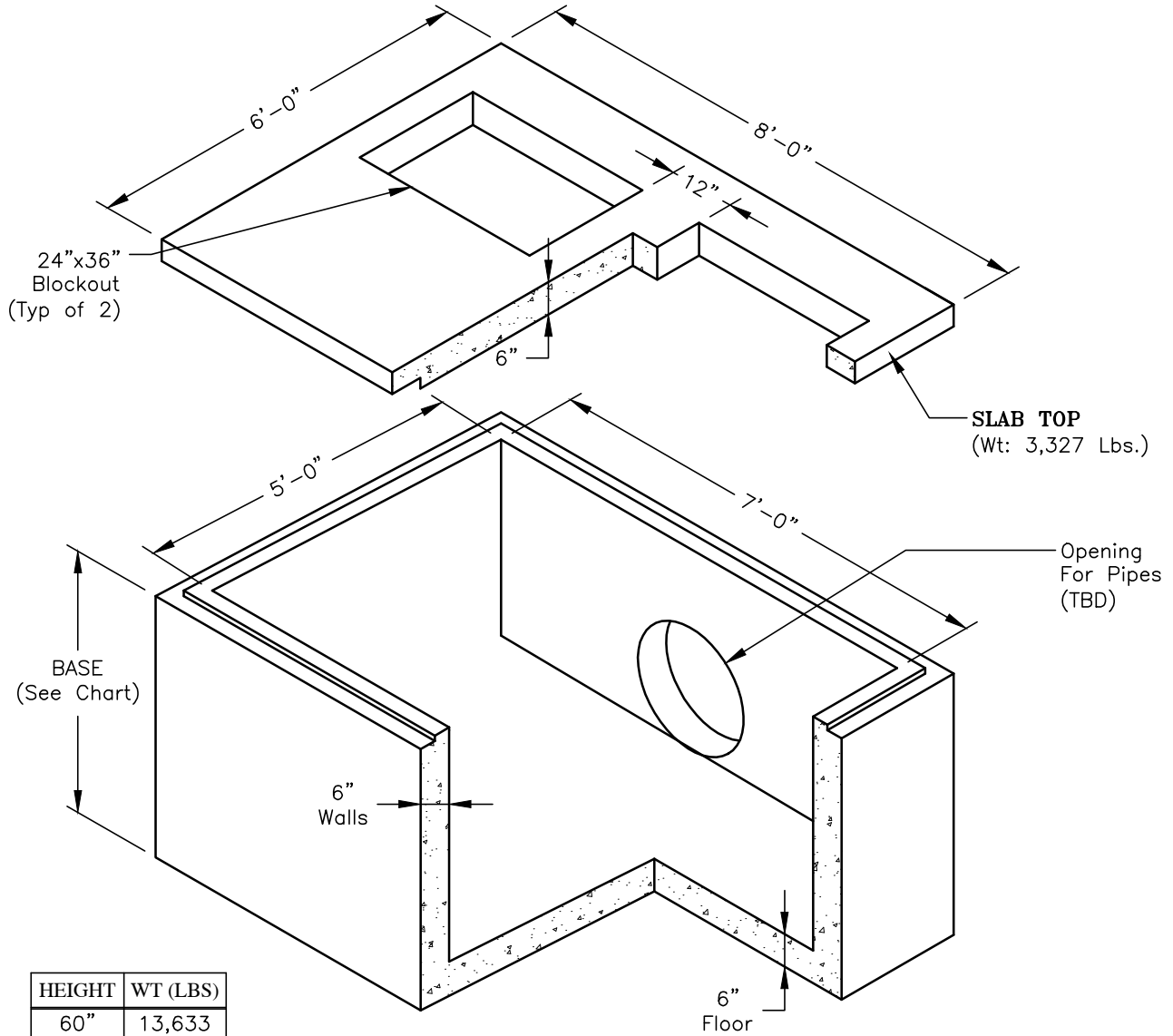


# PSC PRECAST SUPPLY COMPANY

1201 Biscayne Drive, Concord, NC 28027  
Phone: 704-784-2000 Fax: 704-784-2004



HEIGHT	WT (LBS)
60"	13,633
48"	11,344
Vertical Foot	2,289
Floor	2,190

**Top Slab Rebar:**

#4 Rebar @ 6"O.C.  
(1" Cover All Around)  
\*Additional Bars in Center Beam Req'd

**Base Walls Rebar:**

4x4 W4xW4 WWF or  
#4 Rebar @ 12"O.C.  
(1" Cover from Inside Face)  
#5 Rebar @ 12"O.C.  
"L" Bars w/18" Legs  
Both Ways Located on Outside Face of Each Corner

**Riser Rebar (as req'd):**

#4 Rebar @ 6"O.C.  
Both Ways Located in Center Third of Wall

**Base Floor Rebar:**

#5 Rebar @ 12"O.C.  
For Bottom Mat  
(1" Cover to Inside and 2/3 into Walls)

**NOTES:**

1. Concrete Compressive Strength = 4,000psi.
2. NCDOT Design Number 840.46.
3. Reinforcing ASTM A-615, Grade 60. All Steel Cut Out for Openings will be Replaced, 1/2 Reinforcement on Each Side of Opening.
4. Riser Available with a Maximum Ht of 4'-0"
5. Contractor to Specify Hole Size and Locations.

## 5' x 7' ID DOUBLE CATCH BASIN

DATE: Jan. 2009	REV: **	SCALE: 3/8"=1'-0"
-----------------	---------	-------------------