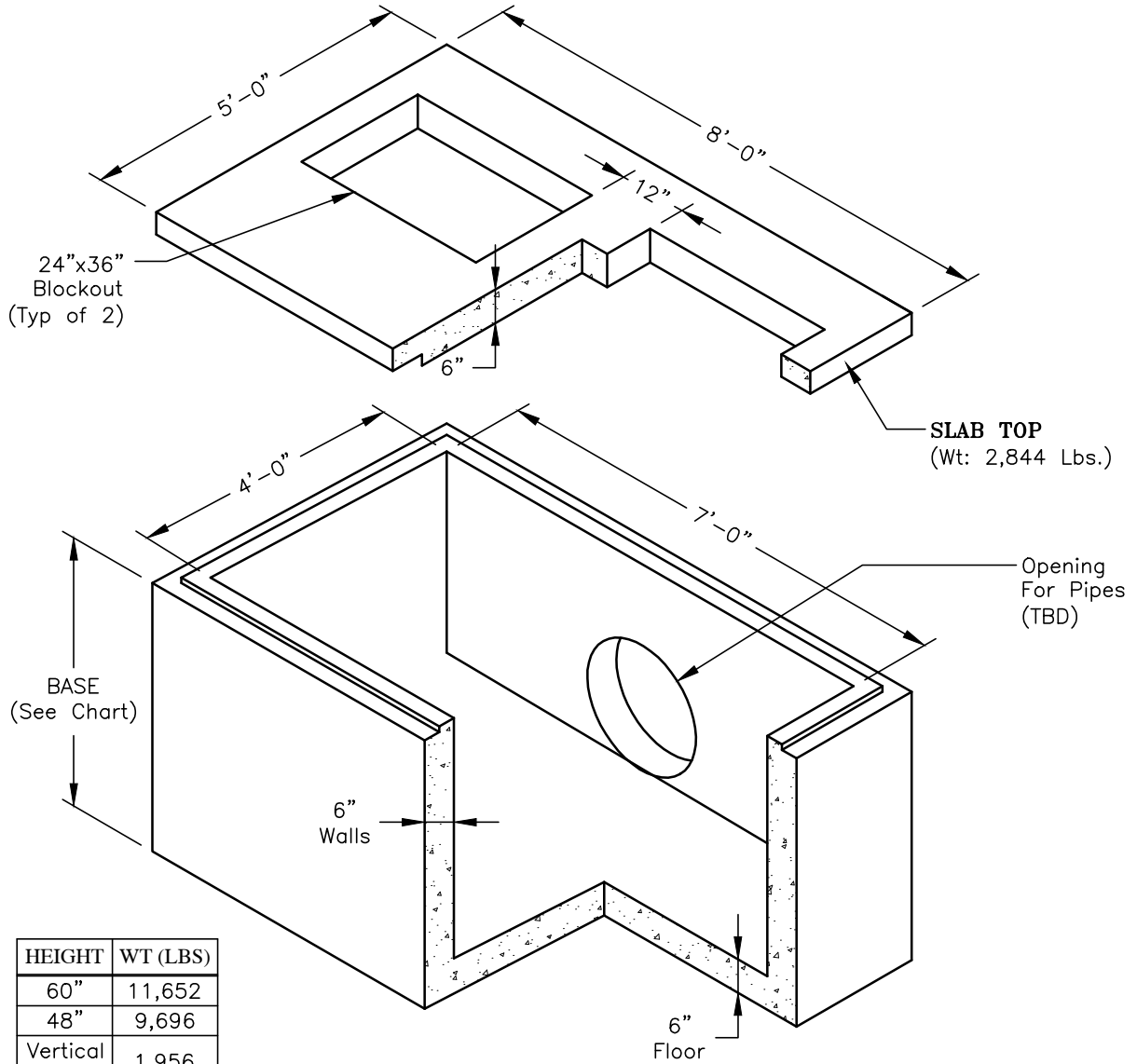


PSC PRECAST SUPPLY COMPANY

1201 Biscayne Drive, Concord, NC 28027
 Phone: 704-784-2000 Fax: 704-784-2004



HEIGHT	WT (LBS)
60"	11,652
48"	9,696
Vertical Foot	1,956
Floor	1,872

NOTES:

1. Concrete Compressive Strength = 4,000psi.
2. NCDOT Design Number 840.46.
3. Reinforcing ASTM A-615, Grade 60. All Steel Cut Out for Openings will be Replaced, $\frac{1}{2}$ Reinforcement on Each Side of Opening.
4. Riser Available with a Maximum Ht of 4'-0"
5. Contractor to Specify Hole Size and Locations.

Top Slab Rebar:

#4 Rebar @ 6"O.C.
 (1" Cover All Around)
 *Additional Bars in Center Beam Req'd

Riser Rebar (as req'd):

#4 Rebar @ 6"O.C.
 Both Ways Located
 in Center Third of Wall

Base Walls Rebar:

4x4 W4xW4 WWF or
 #4 Rebar @ 12"O.C.
 (1" Cover from Inside Face)
 #5 Rebar @ 12"O.C.
 "L" Bars w/18" Legs
 Both Ways Located on Outside
 Face of Each Corner

Base Floor Rebar:

#5 Rebar @ 12"O.C.
 For Bottom Mat
 (1" Cover to Inside
 and $\frac{2}{3}$ into Walls)

4' x 7' ID DOUBLE CATCH BASIN

DATE: Jan. 2009 REV: ** SCALE: $\frac{3}{8}$ "=1'-0"